

**ALFA**

**ALLEGRO**

# ALFA

## SCHEDA TECNICA / TECHNICAL SPECIFICATION

### MISURE / DIMENSIONS

#### FORNO A LEGNA

ALLEGRO TOP

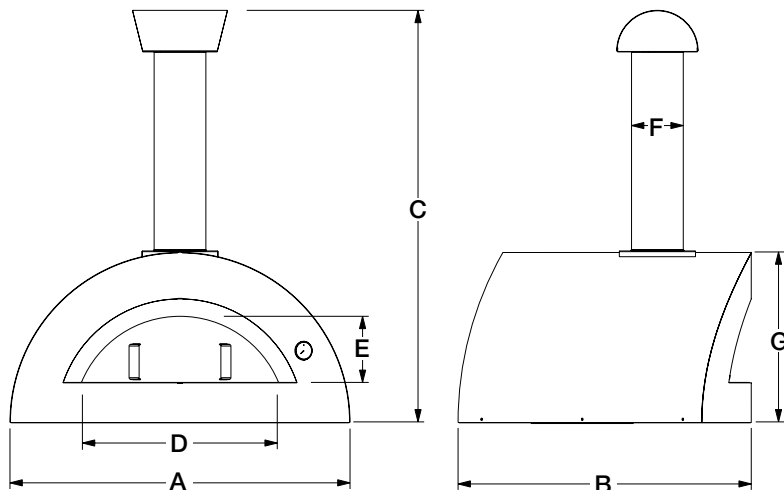
FXALLE-LROA-T

rosso 

FXALLE-LGIA-T

giallo 

A	118 cm / 46,4 in
B	102 cm / 40 in
C	145 cm / 57,5 in
D	59 cm / 23,2 in
E	19 cm / 7,4 in
F	18 cm / 7 in
G	60 cm / 23,8 in



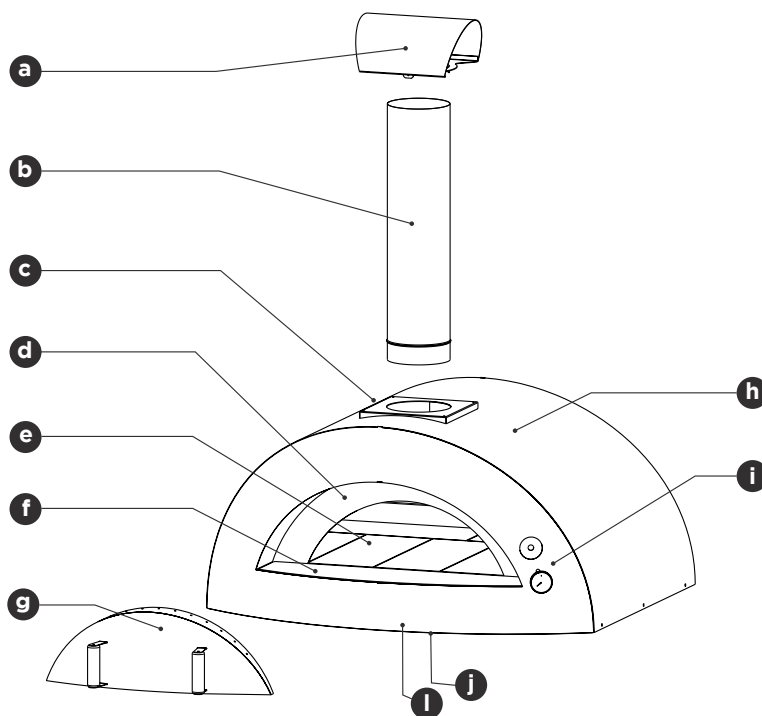
conforme a UNI 10474 e EN 13229  
UNI 10474 and EN 13229 compliant

### CARATTERISTICHE TECNICHE / TECHNICAL DETAILS

Peso Weight	170 kg 375 lbs	Materiali utilizzati Used material	lamiera ferro, acciaio inox, fibra ceramica iron sheet, stainless steel, ceramic fiber
Area piano forno Oven floor area	0,7 m <sup>2</sup> 7,5 ft <sup>2</sup>	Tipo di refrattario Type of refractory	Tavella silico-alluminoso Alumina silicate bricks
Dim. piano forno Oven floor dim.	100 x 70 cm 39,3 x 27,5 in	Combustibile consigliato Recommended fuel	Ciocchi diam. Max 5 cm, potature Max 1,9 In diam. logs, trimmings
Minuti per scaldare Heating time (min)	20	Carica nominale Rated charge	8,3 kg/h 18,3 Lbs/h
N° pizze alla volta Pizza capacity	5	Tiraggio minimo Minimum flue draught	11 Pa
Infornata di pane Bread capacity	5 kg 11 lbs	Flusso volumetrico fumi Flue smokes mass flow	49,6 g/s
Temperatura massima Max oven temperature	500°C 1000°F	Emissioni CO al 13% O <sub>2</sub> CO emission at 13% O <sub>2</sub>	0,35% 4444 mg/Nm <sup>3</sup>
Consumo medio Average fuel consumption	5 kg/h 11 lbs/h	Temperatura fumi Smoke temperature	387°C 728°F

### MONTAGGIO E COMPONENTI / ASSEMBLY AND PARTS LIST

CODICE	N°	DESCRIZIONE
a	S6PZ_01_026	1 Comignolo
b	TL_180_750_SAT	1 Canna fumaria
c	6PZ_01_027	1 Flangia
d	CMB-01-032	1 Cupola camera forno
e	RRA-3020	5 Piano refrattario (30x20)cm
e	RRA-4020	5 Piano refrattario (40x20)cm
f	S6PZ_01_017	1 Davanzale inox
g	S6PZ_01_021	2 Sportello inox
h	CRT-01-0291-G	1 Carter esterno giallo per forno allegro
h	CRT-01-029-R	1 Carter esterno rosso per forno allegro
i	YT63-190	1 Termometro
j	CMB-01-033	1 Vasca camera forno
l	FCGSB602515	8 SIPOREX 1030x700x100mm
l	FCGSB602515	2 SIPOREX 1030x600x100mm



# ALFA

## FORNO A LEGNA

ALLEGRO

FXALLE-LROA

rosso 

FXALLE-LGIA

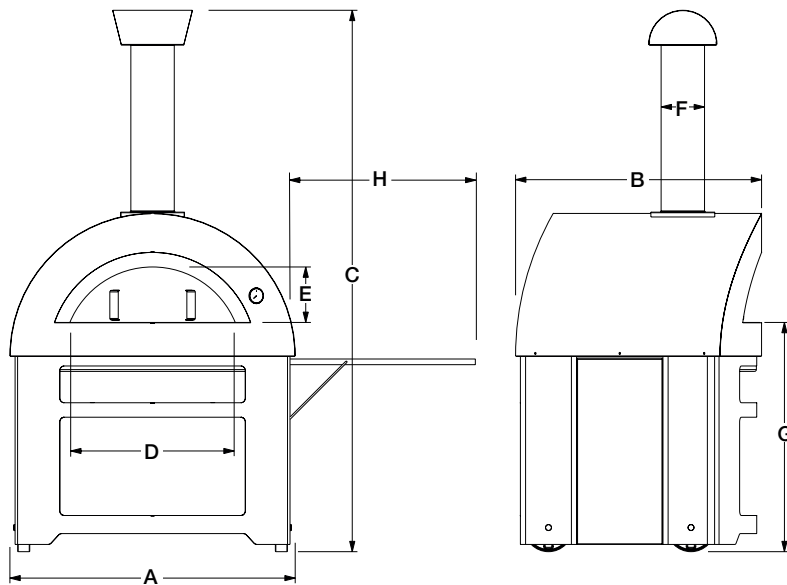
giallo 

conforme a UNI 10474 e EN 13229  
UNI 10474 and EN 13229 compliant

## SCHEDA TECNICA / TECHNICAL SPECIFICATION

### MISURE / DIMENSIONS

A	118 cm / 46,4 in
B	102 cm / 40 in
C	225 cm / 88,6 in
D	59 cm / 23,2 in
E	19 cm / 7,4 in
F	18 cm / 7 in
G	95 cm / 37,4 in
H	70 cm / 27,5 in

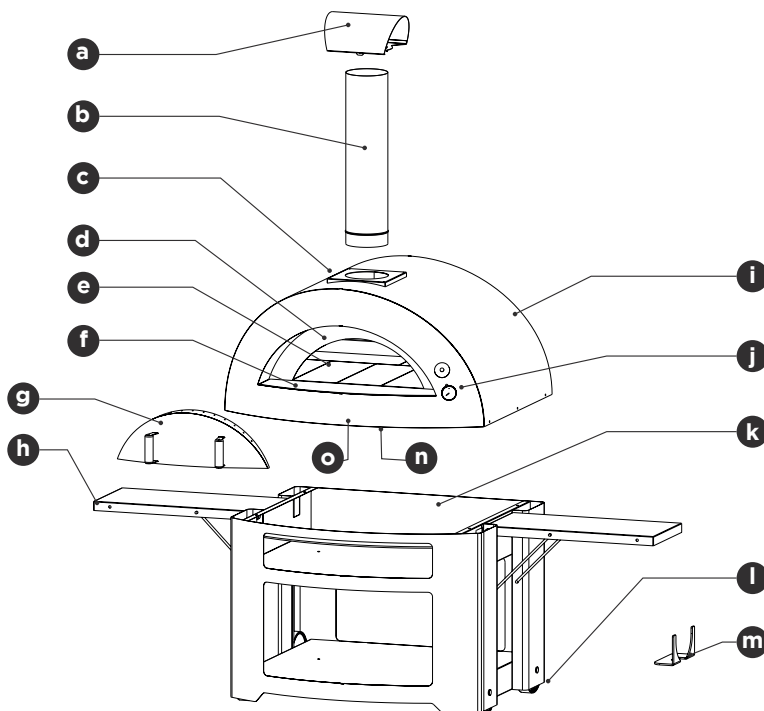


### CARATTERISTICHE TECNICHE / TECHNICAL DETAILS

<b>Peso</b> <i>Weight</i>	245 kg 540 lbs	<b>Materiali utilizzati</b> <i>Used material</i>	lamiera ferro, acciaio inox, fibra ceramica iron sheet, stainless steel, ceramic fiber
<b>Area piano forno</b> <i>Oven floor area</i>	0,7 m <sup>2</sup> 7,5 ft <sup>2</sup>	<b>Tipo di refrattario</b> <i>Type of refractory</i>	Tavella silico-alluminoso Alumina silicate bricks
<b>Dim. piano forno</b> <i>Oven floor dim.</i>	100 x 70 cm 39,3 x 27,5 in	<b>Combustibile consigliato</b> <i>Recommended fuel</i>	Ciocchi diam. Max 5 cm, potature Max 1,9 In diam. logs, trimmings
<b>Minuti per scaldare</b> <i>Heating time (min)</i>	20	<b>Carica nominale</b> <i>Rated charge</i>	8,3 kg/h 18,3 Lbs/h
<b>N° pizze alla volta</b> <i>Pizza capacity</i>	5	<b>Tiraggio minimo</b> <i>Minimum flue draught</i>	11 Pa
<b>Infornata di pane</b> <i>Bread capacity</i>	5 kg 11 lbs	<b>Flusso volumetrico fumi</b> <i>Flue smokes mass flow</i>	49,6 g/s
<b>Temperatura massima</b> <i>Max oven temperature</i>	500°C 1000°F	<b>Emissioni CO al 13% O<sub>2</sub></b> <i>CO emission at 13% O<sub>2</sub></i>	0,35% 4444 mg/Nm <sup>3</sup>
<b>Consumo medio</b> <i>Average fuel consumption</i>	5 kg/h 11 lbs/h	<b>Temperatura fumi</b> <i>Smoke temperature</i>	387°C 728°F

### MONTAGGIO E COMPONENTI / ASSEMBLY AND PARTS LIST

CODICE	N°	DESCRIZIONE
a	S6PZ_01_026	1 Comignolo
b	TL_180_750_SAT	1 Canna fumaria
c	6PZ_01_027	1 Flangia
d	S6PZ_01_002	1 Camera forno
e	RRA-3020	5 Piano refrattario (30x20)cm
e	RRA-4020	5 Piano refrattario (40x20)cm
f	S6PZ_01_017	1 Davanzale inox
g	S6PZ_01_021	2 Sportello inox
h	S6PZ_01_038-NE	1 Ripiani laterali
i	S6PZ_01_011-G	1 Carter esterno giallo per forno allegro
i	S6PZ_01_011-R	1 Carter esterno rosso per forno allegro
j	YT63-190	1 Termometro
k	S6PZ_01_028-NE	1 Base forno allegro
l	OPGA200020	1 Ruote
m	SFRU-01-100	2 Ferma ruota
n	CMB-01-033	1 Vasca camera forno
o		1 SIPOREX 1030x700x100mm



## **ALFA REFRATTARI S.R.L.**

via Osteria della Fontana 63, 03012 Anagni (FR), Italy

**web site: [www.alfaforni.com](http://www.alfaforni.com) - [www.alfaovens.com](http://www.alfaovens.com)  
e-mail: [info@alfaforni.com](mailto:info@alfaforni.com)**

tel: +39 0775.7821 - fax: +39 0775.782218